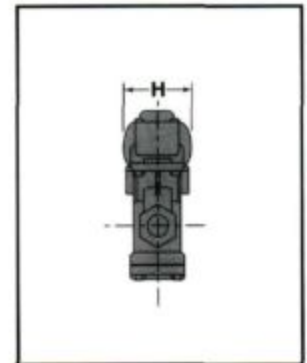
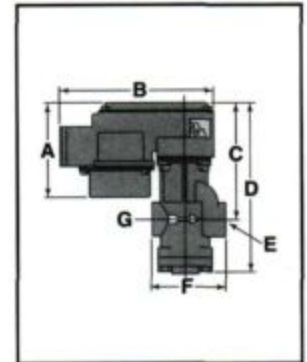


## Water Feeders – Electric (continued)

### Series 101-A

**Electric Water Feeders**

- For low pressure steam boilers with **cold water feed**
- Eliminates necessity to manually add water to the boiler
- Can be used with mechanical or electronic low water cut-off controls
- Quick-change replaceable cartridge valve and strainer
- Manual feed button
- Model 101-A features a 120 VAC solenoid
- Model 101-A-24 features a 24 VAC solenoid and a separate 50VA transformer
- Maximum water pressure 150 psi (10.5 kg/cm<sup>2</sup>)
- Maximum boiler pressure 25 psi (1.8 kg/cm<sup>2</sup>)
- Maximum water temperature 120°F (49°C)
- Maximum power consumption
  - 40 VA at 24 VAC
  - 40 VA at 120 VAC



### Flow Data

Pressure Differential psi (kg/cm <sup>2</sup> )	Flow Rate gpm (lpm)
5 (.4)	1.4 (5.3)
10 (.7)	1.7 (6.4)
20 (1.4)	2.1 (7.9)
40 (2.8)	2.9 (11.0)
60 (4.2)	3.4 (12.9)
80 (5.6)	4.0 (15.1)

### Dimensions, in. (mm)

A	B	C	D	E NPT	F	G NPT	H
4 <sup>1</sup> / <sub>16</sub> (103)	6 <sup>7</sup> / <sub>8</sub> (175)	5 <sup>1</sup> / <sub>8</sub> (130)	7 <sup>9</sup> / <sub>16</sub> (192)	½ (15)	3 <sup>5</sup> / <sub>16</sub> (84)	½ (15)	3 (76)

### Ordering Information

Model Number	Part Number	Description	Weight lbs. (kg)
101A	169400	Electric water feeder, 120V	2.8 (1.3)
101A-24V	169500	Electric water feeder, 24V	2.8 (1.3)